



Rocky Mountain Snow Guards Inc

ROCKY MOUNTAIN SNOW GUARDS
4231 S NATCHES CT., UNIT C
ENGLEWOOD, CO 80110
PHONE: (720) 379-7756
FAX: (720) 387-8361
www.rockymountainsnowguards.com

RG-TILE SNOW GUARD SYSTEM

AVAILABLE MATERIALS:

- COPPER
- POWDER COATED STEEL



INFORMATION:

- Ultra - Strong gusset design.
- Hook is Designed to accomodate tile installed on batten systems.
- Pad area is 4.28 square inches
- Overall length is 16", Strap length is 11.8"
- Excellent Choice for:
 - New Flat or Profile Tile Installation
 - Retrofit Flat or Profile Tile Installation

EXAMPLES:





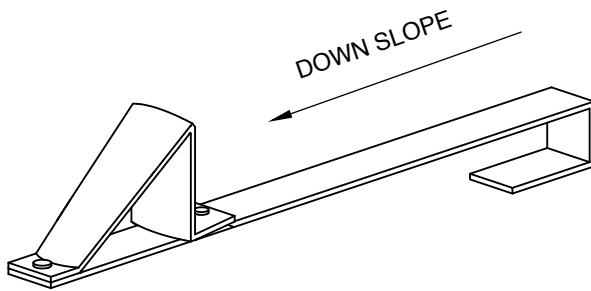
Rocky Mountain Snow Guards Inc

ROCKY MOUNTAIN SNOW GUARDS
4231 S NATCHES COURT, UNIT C
ENGLEWOOD, CO 80110
PHONE: (877) 414-7606
FAX: (720) 387-8361
www.rockymountainsnowguards.com

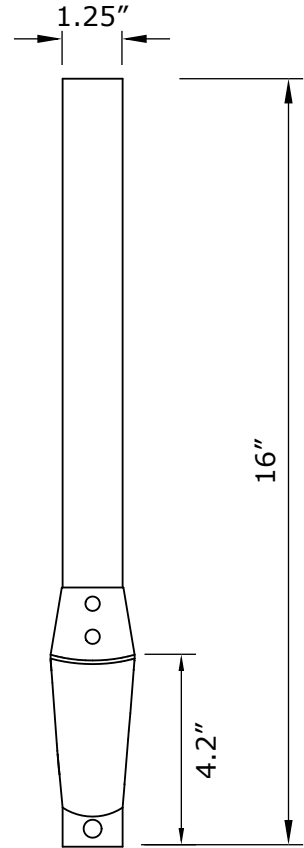
RG-TILE SNOW GUARD

SELECT DESIRED MATERIAL:

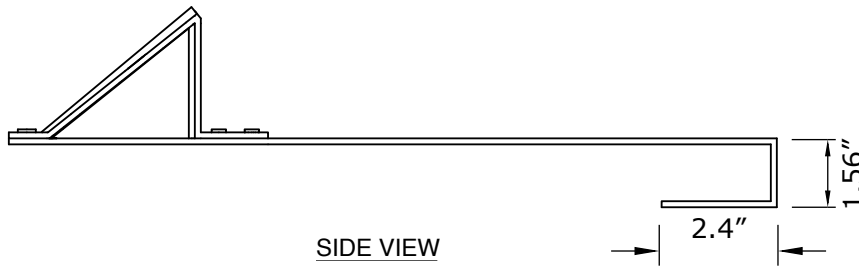
- COPPER - 48 OZ
- POWDER COATED EG STEEL - 14 GAUGE



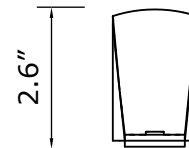
ISOMETRIC VIEW



TOP VIEW



SIDE VIEW



FRONT VIEW

MANUFACTURER NOTES:

1. CONTACT MANUFACTURER FOR SPECIFIED LAYOUT PATTERN.
2. FOR CUSTOM MATERIALS CONTACT MANUFACTURER.
3. OTHER SIZES ARE AVAILABLE ON A CUSTOM BASIS.

NOTES:

1. INSTALLATION TO BE COMPLETED IN ACCORDANCE WITH MANUFACTURER'S SPECIFICATIONS.
2. DO NOT SCALE DRAWING.

RG TILE SNOW GUARD



Rocky Mountain Snow Guards Inc

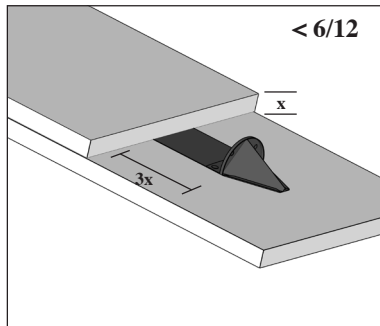
ROCKY MOUNTAIN SNOW GUARDS
4231 S NATCHES CT., UNIT C
ENGLEWOOD, CO 80110
PHONE: (720) 379-7756
FAX: (720) 387-8361
www.rockymountainsnowguards.com

INSTALLATION INSTRUCTIONS

SNOW GUARD PLACEMENT FOR SHINGLE STYLE ROOFS (Asphalt Shingle, Tile, Slate, Synthetics, Metal Shingle)

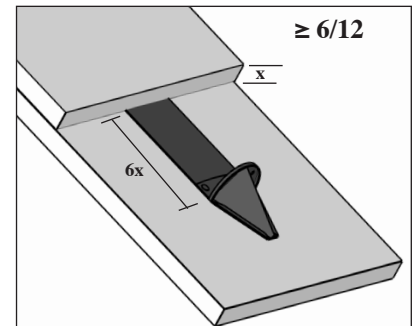
Less than a 6/12 Pitch

For roofs less than 6/12 pitch, the distance between the butt end and the pad face must be a minimum of $3x$ the thickness of the roofing material.

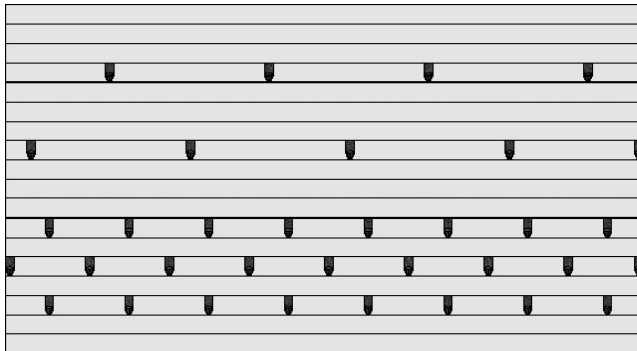


Greater than or equal to 6/12 Pitch

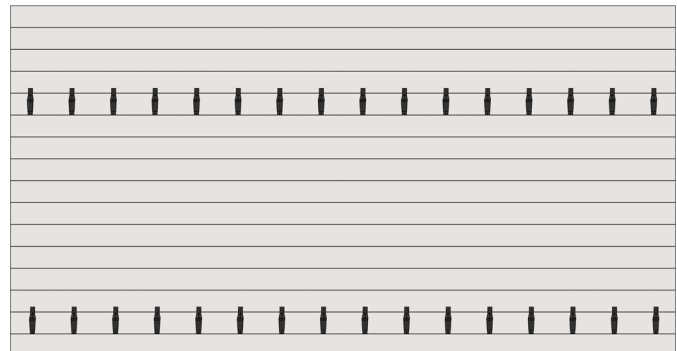
For roofs greater than 6/12 pitch, the distance between the butt end and the pad face must be a minimum of $6x$ the thickness of the roofing material.



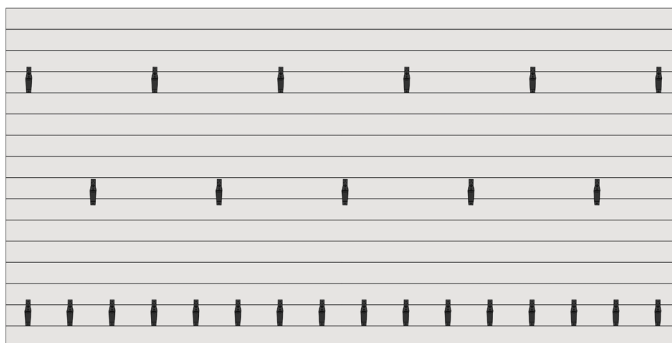
EXAMPLE PATTERNS: (Specified pattern and dimensions are dependent on individual roof characteristics.)



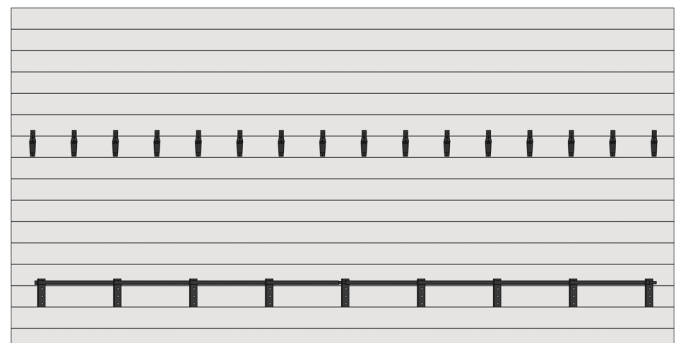
TRADITIONAL SPREAD PATTERN



MULTIPLE SOLDIER ROW



SOLDIER ROW WITH SPREAD PATTERN



SNOW FENCE WITH SOLDIER ROW



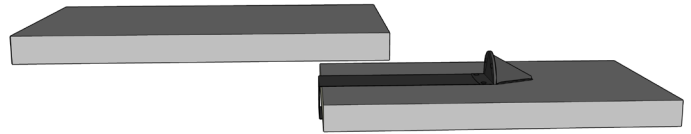
Rocky Mountain Snow Guards Inc

ROCKY MOUNTAIN SNOW GUARDS
4231 S NATCHES CT., UNIT C
ENGLEWOOD, CO 80110
PHONE: (720) 379-7756
FAX: (720) 387-8361
www.rockymountainsnowguards.com

INSTALLATION INSTRUCTIONS CONTINUED

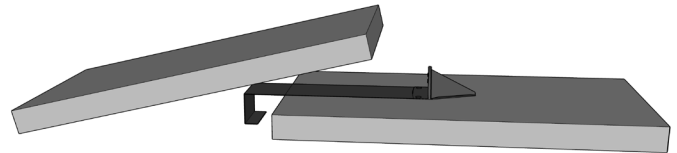
NEW ROOF

1. Follow recommended layout pattern for specific roof and snow situation following the Rocky Mountain Snow Guard Layout Guide.
2. Mark location of each snow guard.
3. Apply a nickel size dollop 6" from the top of tile at the mark.
4. Place the snow guard so that the hook is fully engaged under the tile.
5. Continue shingling roof.



EXISTING ROOF

1. Follow recommended layout pattern for specific roof and snow situation following the Rocky Mountain Snow Guard Layout Guide.
2. Mark location of each snow guard and apply appropriate sealant to shingle where fasteners will penetrate.
3. Apply a nickel size dollop 6" from the top of tile at the mark.
4. Lift tile above just enough to slide new snow guard under.
5. Slide snow guard up until hook passes top of tile.
6. Pull down on the snow guard until hook is fully engaged.



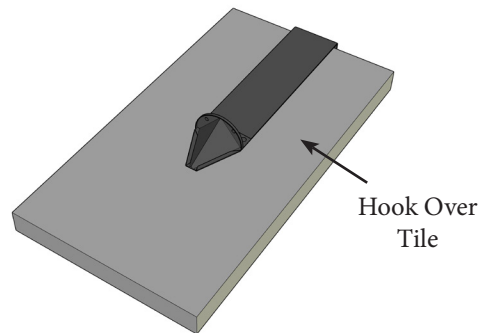
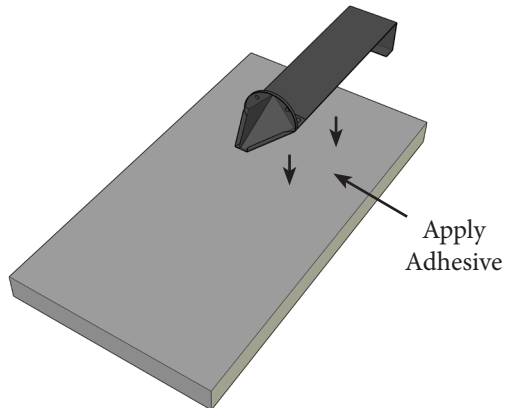


Rocky Mountain Snow Guards Inc

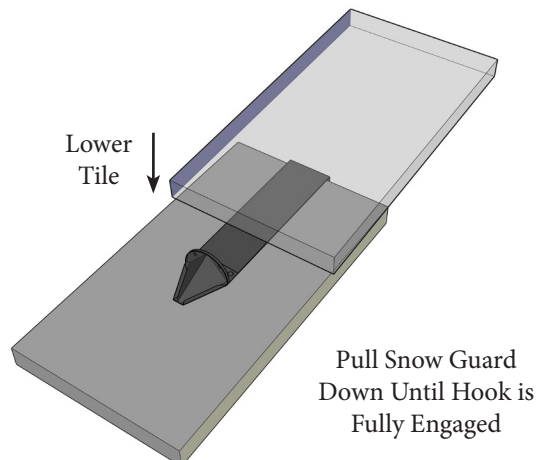
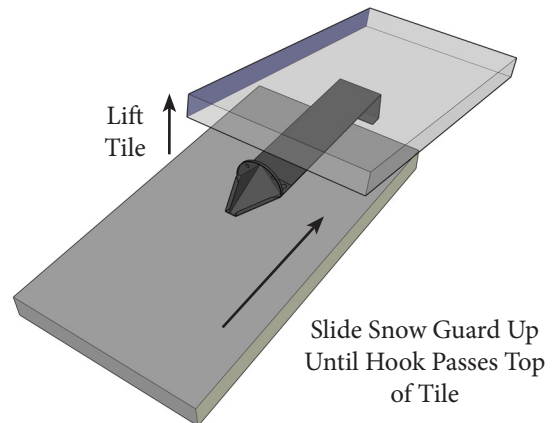
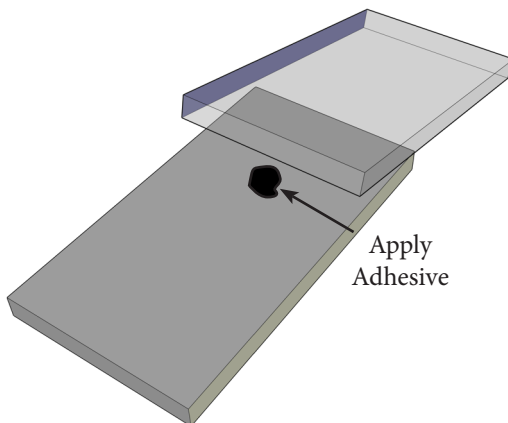
ROCKY MOUNTAIN SNOW GUARDS
4231 S NATCHES CT., UNIT C
ENGLEWOOD, CO 80110
PHONE: (720) 379-7756
FAX: (720) 387-8361
www.rockymountainsnowguards.com

RG-TILE HOOK (ST-TILE HOOK PICTURED)

NEW ROOF



EXISTING ROOF





Rocky Mountain Snow Guards Inc

RG-Tile Snow Guard Specification Sheet

PART 1 GENERAL

1. SUMMARY

A. Work Includes

1. Install RG Tile Snow Guard to roof system.
2. Provide necessary components:RG Tile Snow Guard and Adhesive.

1.2 RELATED SECTIONS

1. Division 7: Thermal and Moisture Protection
2. Section 07320 Roofing Tiles
3. Section 07600 Flashing and Sheet Metal

1.3 SYSTEM

A. Components

1. RG Tile Snow Guard.
2. Butyl Adhesive.

B. Design - To be recommended by Manufacturer or Structural Engineer.

1.4 SUBMITTAL - Submit Manufacturers Specifications, recommended layout, product drawings and installation instructions.

1.5 QUALITY ASSURANCE - Installer to be experienced in roofing and snow retention for a minimum of not less than 5 years.

1.6 DELIVERY/STORAGE - Inspect material upon delivery and inform distributor of any damaged or missing items. Protect materials from damage until installation.

PART 2 PRODUCTS

2.1 MANUFACTURER

Rocky Mountain Snow Guards, Inc. 4231 S. Natches Court, Unit C, Englewood, CO 80110
(877) 414-7606 / www.rockymountainsnowguards.com

2.2 MATERIALS

- A. RG Tile Snow Guard 16 gauge electro galvanized steel.
- B. Butyl Adhesive.

2.3 FINISH - TGIC Polyester powder coating

PART 3 EXECUTION

3.1 EXAMINATION - Inspect roof structure to insure it will withstand snow loads. Correct all problems before installation of snow guards.

3.2 INSTALLATION - Install according to architects drawing and manufacturer's instructions.



Rocky Mountain Snow Guards Inc

ROCKY MOUNTAIN SNOW GUARDS
4231 S. NATCHES COURT, UNIT C
ENGLEWOOD, CO 80110
PHONE: (877) 414-7606
FAX: (720) 387-8361
www.rockymountainsnowguards.com

Rocky Mountain Snow Guards Snow Retention System Maintenance Guide

Systems designed by Rocky Mountain Snow Guards, installed properly should last the life of the roof. Rocky Mountain does not recommend adhesive tape or sealant attachment for any snow fence or snow guard system. Rocky Mountain snow retention systems installed on commercial buildings, above high traffic areas or in areas with high snow loads should be inspected by a qualified roofing or snow retention professional on an annual basis to ensure the system will continue to perform as designed.

Bolt Down Snow Fence Systems:

1. Inspect brackets, snow fence components and fasteners for evidence of damage.
2. Replace damaged parts prior to the next snow season.

Clamp to Seam Snow Fence and Snow Bar Systems:

1. Inspect brackets, snow fence and snow bar components for evidence of damage.
2. Replace damaged parts prior to the next snow season.
3. Check torque on set screws with an appropriate torque wrench.
4. Torque set screws to recommended torque. This is especially important after the 1st snow season.

Snow Guards:

1. Inspect snow guards for evidence of damage.
2. Inspect exposed fasteners.
3. Replace damaged parts prior to the next snow season.