



Rocky Mountain Snow Guards Inc

ROCKY MOUNTAIN SNOW GUARDS
4231 S NATCHES CT., UNIT C
ENGLEWOOD, CO 80110
PHONE: (877) 414-7606
FAX: (720) 387-8361
www.rockymountainsnowguards.com

RG10 SNOW GUARD SYSTEM

AVAILABLE MATERIALS:

- COPPER
- POWDER COATED STEEL



INFORMATION:

- Ultra - Strong gusset design.
- Pre - Drilled strap allows for easy nail or screw fastening.
- Pad area is 4.28 square inches
- Overall length is 10", Strap length is 5.8"
- Excellent Choice for:
 - Metal Shingle
 - Cedar Shake and Shingle
 - Synthetic Slate and Shake
 - Asphalt Shingle

EXAMPLES:





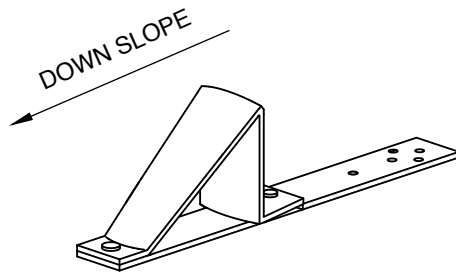
Rocky Mountain Snow Guards Inc

ROCKY MOUNTAIN SNOW GUARDS
4231 S NATCHES COURT, UNIT C
ENGLEWOOD, CO 80110
PHONE: (877) 414-7606
FAX: (720) 387-8361
www.rockymountainsnowguards.com

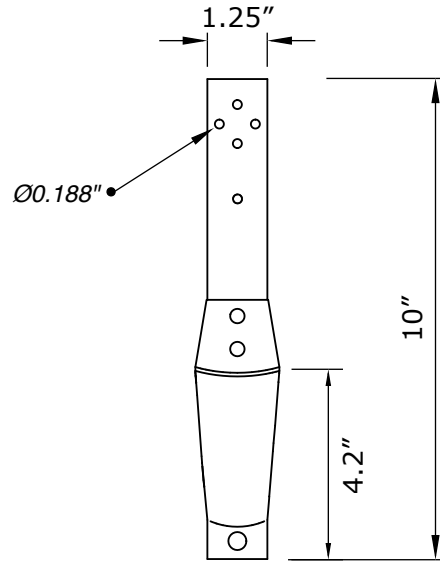
RG10 SNOW GUARD

SELECT DESIRED MATERIAL:

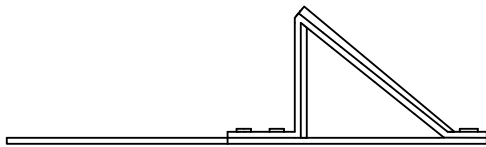
- COPPER - 48 OZ
- POWDER COATED EG STEEL - 14 GAUGE



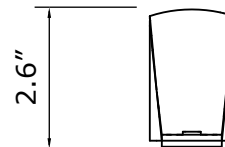
ISOMETRIC VIEW



TOP VIEW



SIDE VIEW



FRONT VIEW

MANUFACTURER NOTES:

1. CONTACT MANUFACTURER FOR SPECIFIED LAYOUT PATTERN.
2. FOR CUSTOM MATERIALS CONTACT MANUFACTURER.
3. OTHER SIZES ARE AVAILABLE ON A CUSTOM BASIS.

NOTES:

1. INSTALLATION TO BE COMPLETED IN ACCORDANCE WITH MANUFACTURER'S SPECIFICATIONS.
2. DO NOT SCALE DRAWING.



Rocky Mountain Snow Guards Inc

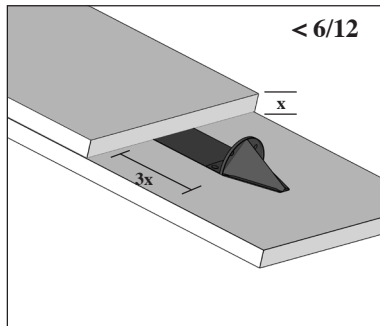
ROCKY MOUNTAIN SNOW GUARDS
4231 S. NATCHES COURT, UNIT C
ENGLEWOOD, CO 80110
PHONE: (877) 414-7606
FAX: (720) 387-8361
www.rockymountainsnowguards.com

INSTALLATION INSTRUCTIONS

SNOW GUARD PLACEMENT FOR SHINGLE STYLE ROOFS (Asphalt Shingle, Tile, Slate, Synthetics, Metal Shingle)

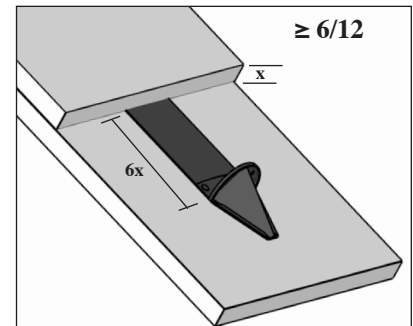
Less than a 6/12 Pitch

For roofs less than 6/12 pitch, the distance between the butt end and the pad face must be a minimum of $3x$ the thickness of the roofing material.

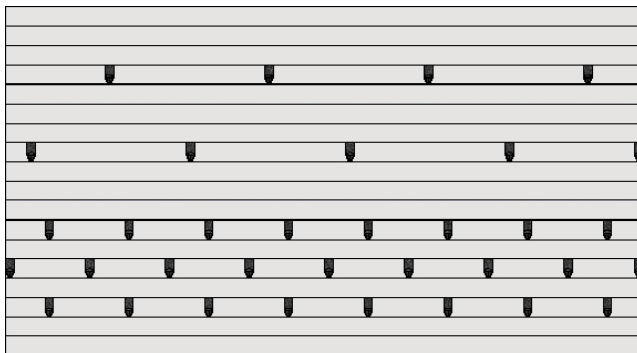


Greater than or equal to 6/12 Pitch

For roofs greater than 6/12 pitch, the distance between the butt end and the pad face must be a minimum of $6x$ the thickness of the roofing material.



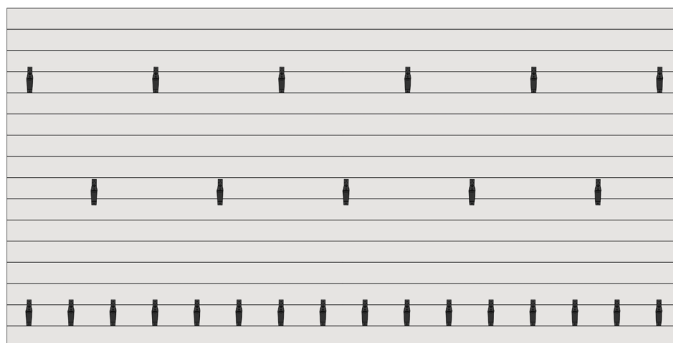
EXAMPLE PATTERNS: (Specified pattern and dimensions are dependent on individual roof characteristics.)



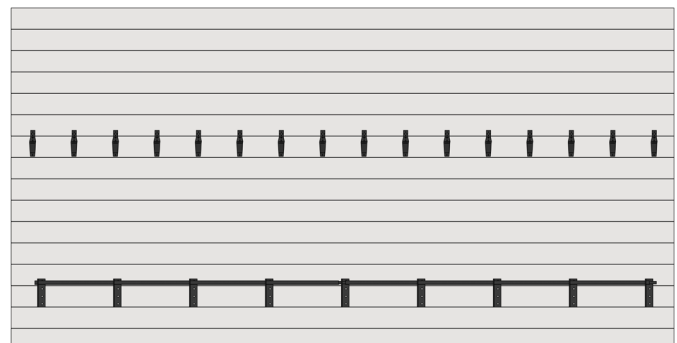
TRADITIONAL SPREAD PATTERN



MULTIPLE SOLDIER ROW



SOLDIER ROW WITH SPREAD PATTERN



SNOW FENCE WITH SOLDIER ROW



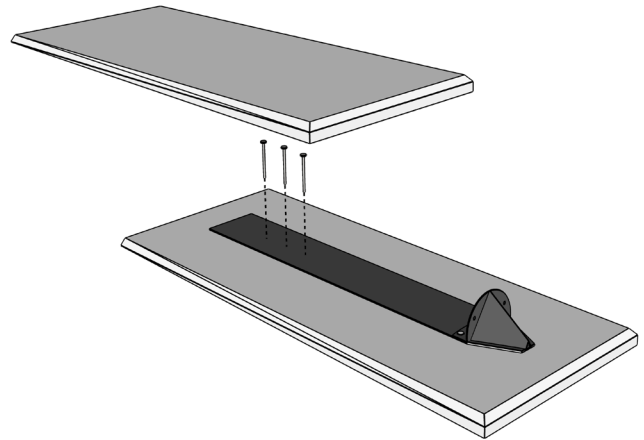
Rocky Mountain Snow Guards Inc

ROCKY MOUNTAIN SNOW GUARDS
4231 S. NATCHES COURT, UNIT C
ENGLEWOOD, CO 80110
PHONE: (877) 414-7606
FAX: (720) 387-8361
www.rockymountainsnowguards.com

INSTALLATION INSTRUCTIONS CONTINUED

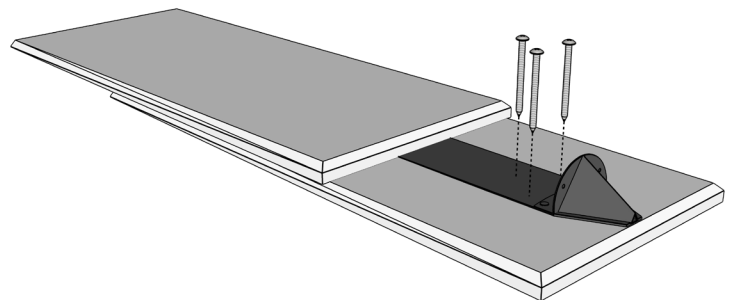
NEW ROOF

1. Follow recommended layout pattern for specific roof and snow situation following the Rocky Mountain Snow Guard Layout Guide.
2. Mark location of each snow guard.
3. Fasten snow guard with appropriate quantity and type of fasteners:
 - ST / Yeti: Fasten through top 3" of strap.
 - RG: Fasten through fastening holes in strap.
4. Continue shingling roof.



EXISTING ROOF

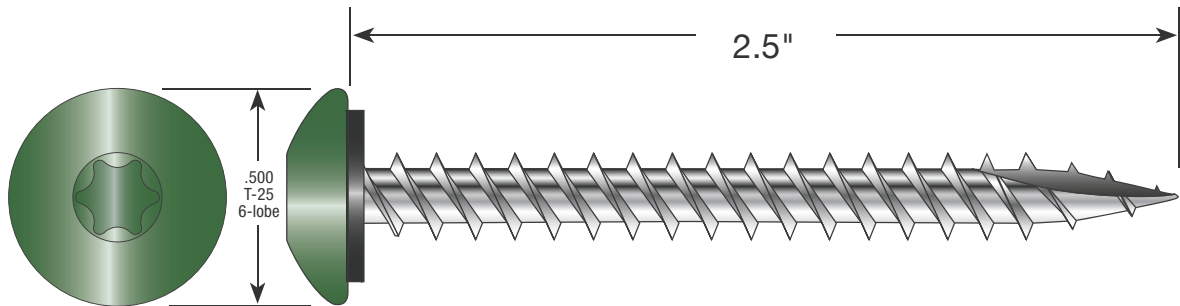
1. Follow recommended layout pattern for specific roof and snow situation following the Rocky Mountain Snow Guard Layout Guide.
2. Mark location of each snow guard and apply appropriate sealant to shingle where fasteners will penetrate.
3. Attach with 2 or 3 Woodbinder Eclipse #10 screws:
 - ST / Yeti: Fasten through exposed strap.
 - RG: Fasten through fastening holes in strap.





Rocky Mountain Snow Guards Inc

ROCKY MOUNTAIN SNOW GUARDS
 4231 S. NATCHES COURT, UNIT C
 ENGLEWOOD, CO 80110
 PHONE: (877) 414-7606
 FAX: (720) 387-8361
 www.rockymountainsnowguards.com



PERFORMANCE DATA

PULL OUT STRENGTH VALUE (LBS. ULT.)	SUBSTRATE						
	3/4 PLY	5/8 PLY	1/2 PLY	7/16 OSB	2X Y. PINE	2X SPF	2X OAK
					1" PENETR.	1" PENETR.	1" PENETR.
	716	515	398	306	1067	517	1467

#14 TYPE 17 Dimensions:

Drill Point: 30° Type 17
 Major Diameter: .206/.200
 Minor Diameter: .126/.122
 Truss Head Dia: .500 (6-Lobe)



The Truss head is 50% lower than a standard HWH & provides a very aesthetic appearance.

PULL OVER STRENGTH VALUE (LBS. ULT.) <small>Pull over values are calculated with EPDM rubber washer assembled to 6-lobe Truss head.</small>	DESIGNATION	MATERIAL	
		AZ55 GALVALUME	
		NOM. GAUGE	29
	THICKNESS	.015	.019
#10 Eclipse Woodbinder® EPDM ONLY		688	879



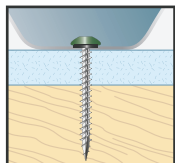
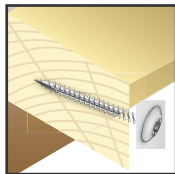
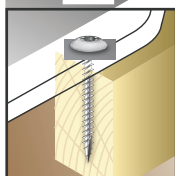
The Type 17 drill point consistently drills 29 & 26 gauge hi-tensile steel with no "point walking".



T-25-W Driver



ECLIPSE VS. HEX HEAD SHOWS LO-PROFILE EFFECT



- Round head with 6-lobe recess driver provides an aesthetic, low-profile appearance on sidewall metal applications installed into wood girts.
- Type 17 drill point quickly penetrates steel siding and eliminates metal shaving that can embed themselves in the rubber washer.
- Undercut EPDM rubber washer provides a secure seal even when driven at an angle.
- T-25-W driver specially designed to fit securely in the 6-lobe recess with no cam-out or paint damage.



Rocky Mountain Snow Guards Inc

RG10 Snow Guard Specification Sheet

PART 1 GENERAL

1. SUMMARY

A. Work Includes

1. Install RG10 Snow Guard to roof system.
2. Provide necessary components: RG10 Snow Guard and Fasteners (3 #12 Screws or 5 Nails).

1.2 RELATED SECTIONS

1. Section 07310 Roofing Shingles
2. Section 07600 Flashing and Sheet Metal
3. Division 7: Thermal and Moisture Protection

1.3 SYSTEM

A. Components

1. RG10 Snow Guard.
2. Fasteners.

B. Design - To be recommended by Manufacturer or Structural Engineer.

1.4 SUBMITTAL - Submit Manufacturers Specifications, recommended layout, product drawings and installation instructions.

1.5 QUALITY ASSURANCE - Installer to be experienced in roofing and snow retention for a minimum of not less than 5 years.

1.6 DELIVERY/STORAGE - Inspect material upon delivery and inform distributor of any damaged or missing items. Protect materials from damage until installation.

PART 2 PRODUCTS

2.1 MANUFACTURER

- A. Rocky Mountain Snow Guards, Inc. 4231 S. Natches Court, Unit C, Englewood, CO 80110
(877) 414-7606 / www.rockymountainsnowguards.com

2.2 MATERIALS

- A. RG10 Snow Guard 14 gauge electro galvanized steel.
B. Fasteners 2" zinc plated #12 screws or 2" zinc plated ring shank roofing nail.

2.3 FINISH - TGIC Polyester powder coating

PART 3 EXECUTION

3.1 EXAMINATION - Inspect roof structure and panel attachment to insure it will withstand snow loads. Correct all problems before installation of snow fence.

3.2 INSTALLATION - Install according to architects drawing and manufacturer's instructions.



Rocky Mountain Snow Guards Inc

ROCKY MOUNTAIN SNOW GUARDS
4231 S. NATCHES COURT, UNIT C
ENGLEWOOD, CO 80110
PHONE: (877) 414-7606
FAX: (720) 387-8361
www.rockymountainsnowguards.com

Rocky Mountain Snow Guards Snow Retention System Maintenance Guide

Systems designed by Rocky Mountain Snow Guards, installed properly should last the life of the roof. Rocky Mountain does not recommend adhesive tape or sealant attachment for any snow fence or snow guard system. Rocky Mountain snow retention systems installed on commercial buildings, above high traffic areas or in areas with high snow loads should be inspected by a qualified roofing or snow retention professional on an annual basis to ensure the system will continue to perform as designed.

Bolt Down Snow Fence Systems:

1. Inspect brackets, snow fence components and fasteners for evidence of damage.
2. Replace damaged parts prior to the next snow season.

Clamp to Seam Snow Fence and Snow Bar Systems:

1. Inspect brackets, snow fence and snow bar components for evidence of damage.
2. Replace damaged parts prior to the next snow season.
3. Check torque on set screws with an appropriate torque wrench.
4. Torque set screws to recommended torque. This is especially important after the 1st snow season.

Snow Guards:

1. Inspect snow guards for evidence of damage.
2. Inspect exposed fasteners.
3. Replace damaged parts prior to the next snow season.