



# Rocky Mountain Snow Guards Inc

ROCKY MOUNTAIN SNOW GUARDS  
4231 S. NATCHES COURT, UNIT C  
ENGLEWOOD, CO 80110  
PHONE: (877) 414-7606  
FAX: (720) 387-8361  
[www.rockymountainsnowguards.com](http://www.rockymountainsnowguards.com)

## ST11 SNOW GUARD SYSTEM

### AVAILABLE MATERIALS:

- COPPER
- PAINTED ALUMINUM



### INFORMATION:

- Classic Low Profile Design
- Light gage metal strap allows for simple nail attachment on new roofs and exposed screw fastening on existing roofs.
- Pad area is 2.34 square inches
- Overall length is 11", Strap length is 8.75"
- Excellent Choice for:
  - Some new and existing synthetic shingle roofs on lower pitches with lighter snow loads

### EXAMPLES:





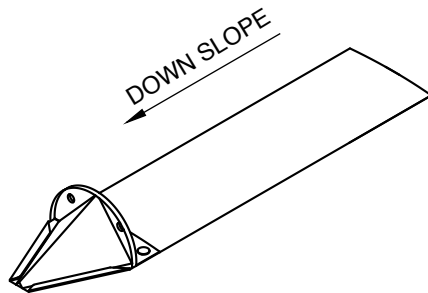
# Rocky Mountain Snow Guards Inc

ROCKY MOUNTAIN SNOW GUARDS  
4231 S. NATCHES COURT, UNIT C  
ENGLEWOOD, CO 80110  
PHONE: (877) 414-7606  
FAX: (720) 387-8361  
www.rockymountainsnowguards.com

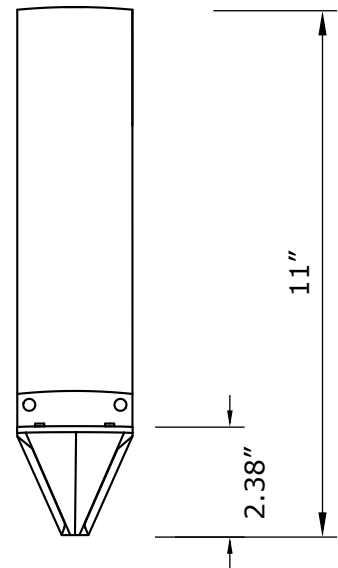
## ST11 SNOW GUARD

SELECT DESIRED MATERIAL:

- COPPER - 16 OZ
- PAINTED ALUMINUM - 0.032"



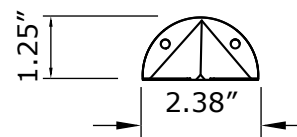
ISOMETRIC VIEW



TOP VIEW



SIDE VIEW



FRONT VIEW

### MANUFACTURER NOTES:

1. CONTACT MANUFACTURER FOR SPECIFIED LAYOUT PATTERN.
2. FOR CUSTOM MATERIALS CONTACT MANUFACTURER.
3. OTHER SIZES ARE AVAILABLE ON A CUSTOM BASIS.

### NOTES:

1. INSTALLATION TO BE COMPLETED IN ACCORDANCE WITH MANUFACTURER'S SPECIFICATIONS.
2. DO NOT SCALE DRAWING.



# Rocky Mountain Snow Guards Inc

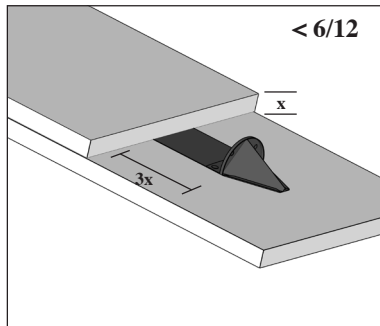
ROCKY MOUNTAIN SNOW GUARDS  
4231 S. NATCHES COURT, UNIT C  
ENGLEWOOD, CO 80110  
PHONE: (877) 414-7606  
FAX: (720) 387-8361  
www.rockymountainsnowguards.com

## INSTALLATION INSTRUCTIONS

### SNOW GUARD PLACEMENT FOR SHINGLE STYLE ROOFS (Asphalt Shingle, Tile, Slate, Synthetics, Metal Shingle)

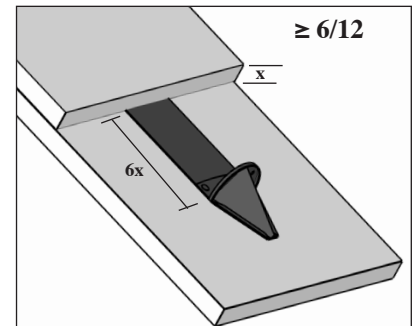
#### Less than a 6/12 Pitch

For roofs less than 6/12 pitch, the distance between the butt end and the pad face must be a minimum of  $3x$  the thickness of the roofing material.

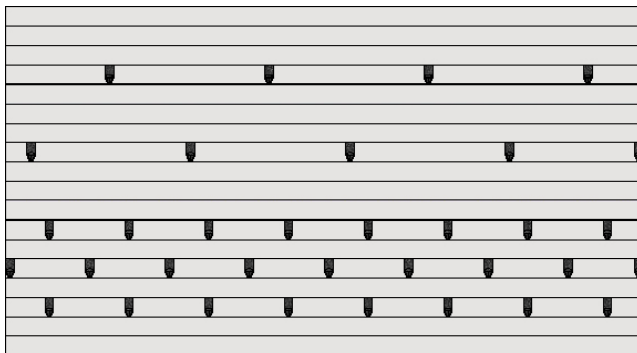


#### Greater than or equal to 6/12 Pitch

For roofs greater than 6/12 pitch, the distance between the butt end and the pad face must be a minimum of  $6x$  the thickness of the roofing material.



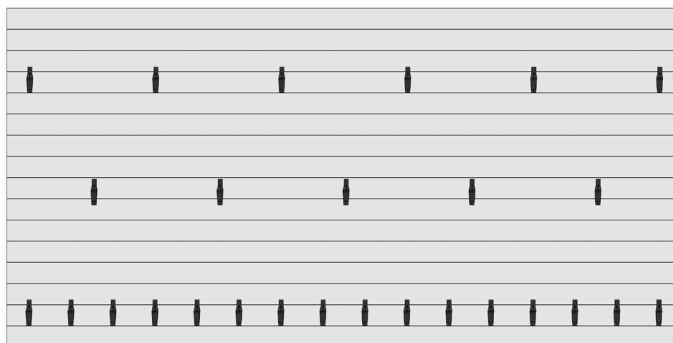
### EXAMPLE PATTERNS: (Specified pattern and dimensions are dependent on individual roof characteristics.)



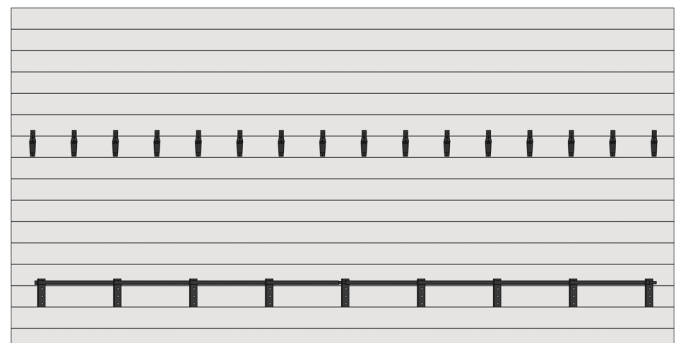
TRADITIONAL SPREAD PATTERN



MULTIPLE SOLDIER ROW



SOLDIER ROW WITH SPREAD PATTERN



SNOW FENCE WITH SOLDIER ROW



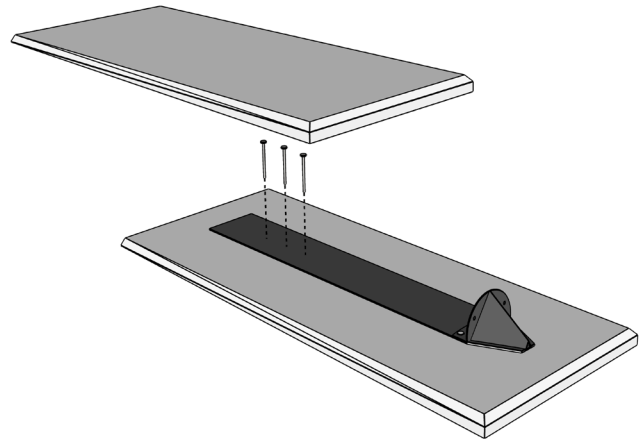
# Rocky Mountain Snow Guards Inc

ROCKY MOUNTAIN SNOW GUARDS  
4231 S. NATCHES COURT, UNIT C  
ENGLEWOOD, CO 80110  
PHONE: (877) 414-7606  
FAX: (720) 387-8361  
www.rockymountainsnowguards.com

## INSTALLATION INSTRUCTIONS CONTINUED

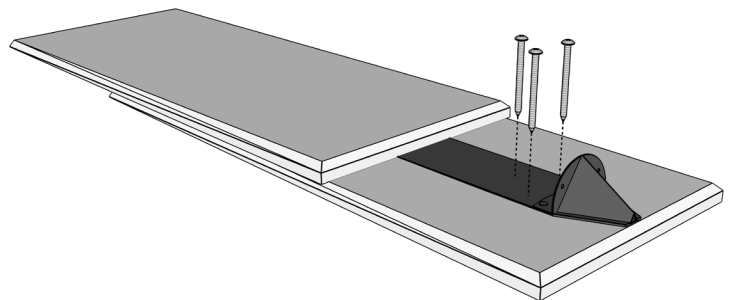
### NEW ROOF

1. Follow recommended layout pattern for specific roof and snow situation following the Rocky Mountain Snow Guard Layout Guide.
2. Mark location of each snow guard.
3. Fasten snow guard with appropriate quantity and type of fasteners:
  - ST / Yeti: Fasten through top 3" of strap.
  - RG: Fasten through fastening holes in strap.
4. Continue shingling roof.



### EXISTING ROOF

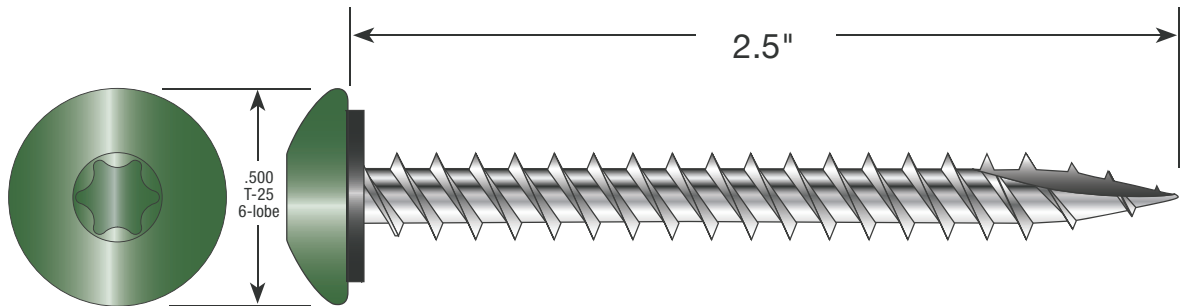
1. Follow recommended layout pattern for specific roof and snow situation following the Rocky Mountain Snow Guard Layout Guide.
2. Mark location of each snow guard and apply appropriate sealant to shingle where fasteners will penetrate.
3. Attach with 2 or 3 Woodbinder Eclipse #10 screws:
  - ST / Yeti: Fasten through exposed strap.
  - RG: Fasten through fastening holes in strap.





# Rocky Mountain Snow Guards Inc

ROCKY MOUNTAIN SNOW GUARDS  
 4231 S. NATCHES COURT, UNIT C  
 ENGLEWOOD, CO 80110  
 PHONE: (877) 414-7606  
 FAX: (720) 387-8361  
 www.rockymountainsnowguards.com



## PERFORMANCE DATA

PULL OUT STRENGTH VALUE (LBS. ULT.)	SUBSTRATE						
	3/4 PLY	5/8 PLY	1/2 PLY	7/16 OSB	2X Y. PINE	2X SPF	2X OAK
					1" PENETR.	1" PENETR.	1" PENETR.
	716	515	398	306	1067	517	1467

## #14 TYPE 17 Dimensions:

Drill Point: 30° Type 17  
 Major Diameter: .206/.200  
 Minor Diameter: .126/.122  
 Truss Head Dia: .500 (6-Lobe)



The Truss head is 50% lower than a standard HWH & provides a very aesthetic appearance.

PULL OVER STRENGTH VALUE (LBS. ULT.)	DESIGNATION	MATERIAL	
		AZ55 GALVALUME	
	Pull over values are calculated with EPDM rubber washer assembled to 6-lobe Truss head.	NOM. GAUGE	29
THICKNESS		.015	.019
#10 Eclipse Woodbinder® EPDM ONLY		688	879



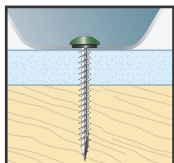
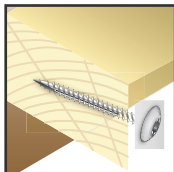
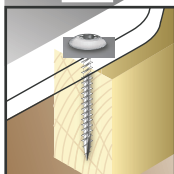
The Type 17 drill point consistently drills 29 & 26 gauge hi-tensile steel with no "point walking".



T-25-W Driver



ECLIPSE VS. HEX HEAD SHOWS LO-PROFILE EFFECT



- Round head with 6-lobe recess driver provides an aesthetic, low-profile appearance on sidewall metal applications installed into wood girts.
- Type 17 drill point quickly penetrates steel siding and eliminates metal shaving that can embed themselves in the rubber washer.
- Undercut EPDM rubber washer provides a secure seal even when driven at an angle.
- T-25-W driver specially designed to fit securely in the 6-lobe recess with no cam-out or paint damage.

**ST11 Snow Guard Specification Sheet**  
For synthetic slate \ shake and asphalt shingle roof systems

**PART 1 – GENERAL**

1.1 SUMMARY

A. WORK INCLUDES

1. ST11 snow guard attaches directly to the roof deck.
2. Coordinate with the installation of the roof to assure proper placement of the snow guards.
3. Provide appropriate snow guard and fasteners for the roof system

B. RELATED SECTIONS

1. Section 07600: Flashings and Sheet Metal
2. Section 07310: Shingles
3. Section 07320: Roofing Tiles
4. Division 7: Thermal and Moisture Protection

1.2 SYSTEM DESCRIPTION

A. COMPONENTS

1. ST11 snow guard system consists of individual metal snow guards
2. Fasteners
  - a. To be of metal compatible with snow guards
  - b. Fasteners should be selected for compatibility with roof deck
  - c. All snow guards must be mechanically fastened to the roof deck.
3. Sealant
  - a. To be approved by the roofing material manufacturer

B. DESIGN REQUIREMENTS

1. Spacing to be recommended by manufacturer or building engineer.
2. Minimum 2 fasteners per snow guard.
3. It is important to design new structures or assess existing structures to make sure that they can withstand retained snow loads.

1.3 SUBMITTAL

- A. Submit manufacturer's specifications, standard detail drawings, recommended layout and installation instructions.

1.4 QUALITY ASSURANCE

- A. Installer to be experienced in the installation of specified roofing material and snow guards for not less than 5 years in the area of the project.

1.5 DELIVERY / STORAGE / HANDLING

- A. Inspect material upon delivery and order replacements for any missing or defective items. Keep material dry, covered and off the ground until installed.

**PART 2 – PRODUCTS**

MANUFACTURER

- 2.1 A. Rocky Mountain Snow Guards, Inc. 4231 S. Natches Court, Unit C, Englewood, CO 80110  
(877) 414-7606 / [www.rockymountainsnowguards.com](http://www.rockymountainsnowguards.com)

2.2 MATERIALS

- A. Copper – all snow guard components are 16 oz. copper.
- B. Aluminum – All snow guard components are .032 Aluminum

2.3 FINISH

- A. Mill Finish
- B. Kynar 500 pre finished sheet – Aluminum only.
- C. Powder Coated, exterior grade powder only.

**PART 3 – EXECUTION**

3.1 EXAMINATION

- A. Substrate
  1. Inspect structure to verify that roofing structure will withstand additional retained snow loads. Notify owner or general contractor of any deficiencies before installing snow guards.
  2. Verify that roofing material has been installed properly prior to installing snow guards.

3.2 INSTALLATION

- A. Comply with architectural drawings for location and with Manufacturer’s instructions for installation and layout.

07 72 53 Snow Guards

Rocky Mountain Snow Guards, Inc. 4231 S. Natches Court, Unit C, Englewood, CO 80110  
(877) 414-7606 / [www.rockymountainsnowguards.com](http://www.rockymountainsnowguards.com)



# Rocky Mountain Snow Guards Inc

ROCKY MOUNTAIN SNOW GUARDS  
4231 S. NATCHES COURT, UNIT C  
ENGLEWOOD, CO 80110  
PHONE: (877) 414-7606  
FAX: (720) 387-8361  
[www.rockymountainsnowguards.com](http://www.rockymountainsnowguards.com)

## Rocky Mountain Snow Guards Snow Retention System Maintenance Guide

Systems designed by Rocky Mountain Snow Guards, installed properly should last the life of the roof. Rocky Mountain does not recommend adhesive tape or sealant attachment for any snow fence or snow guard system. Rocky Mountain snow retention systems installed on commercial buildings, above high traffic areas or in areas with high snow loads should be inspected by a qualified roofing or snow retention professional on an annual basis to ensure the system will continue to perform as designed.

### Bolt Down Snow Fence Systems:

1. Inspect brackets, snow fence components and fasteners for evidence of damage.
2. Replace damaged parts prior to the next snow season.

### Clamp to Seam Snow Fence and Snow Bar Systems:

1. Inspect brackets, snow fence and snow bar components for evidence of damage.
2. Replace damaged parts prior to the next snow season.
3. Check torque on set screws with an appropriate torque wrench.
4. Torque set screws to recommended torque. This is especially important after the 1st snow season.

### Snow Guards:

1. Inspect snow guards for evidence of damage.
2. Inspect exposed fasteners.
3. Replace damaged parts prior to the next snow season.